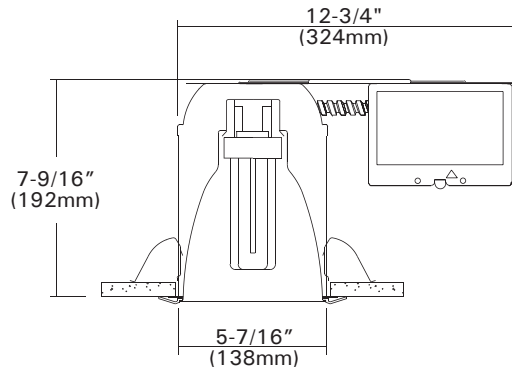


# DLF-205R

## 5" NON-IC Vertical Remodel Housing For 13W, 18W, 26W or 32W DTT/TTT Lamps

Catalog #		Type
Project		Date
Prepared by		

**FLUORESCENT**



**Ceiling Cut-out : 5-3/4"  
Lamp, Max, Watt. : 32W**

### DESCRIPTION & APPLICATION

The DLF-205R is a 5" aperture housing for (1) vertical CFL lamps. The DLF-205R is designed for use in both non-insulated and insulated ceilings. Insulation material must be kept a minimum of 3" from all sides of the housing.

### DESIGN FEATURES

#### ◦ Housing

- Single wall aluminum housing.
- 7-9/16" height allows use in 2" x 8" joist construction.
- Housing adjusts for ceilings up to 1/2" thick.

#### ◦ Junction Box

- Listed for through branch circuit wiring.(Max.8 No 12 AWG 90°C branch circuit conductors. (4 in, 4 out)
- (5)1/2" knockouts with true pry-out slots and (4) knockouts with Romex cable clamp.
- Ground wire provided on J-box.

#### ◦ Reflector

- Anodized clear, haze, gold, champagne, pewter color finished full reflectors. And anodized reflectors with black or white milled groove baffle collar.

#### ◦ Trim

- White plastic ring or plated chrome, satin nickel, polished brass, natural steel color ring.

#### ◦ Remodel Clips

- Four remodel clips secure housing and accommodates 1/2" and 5/8" ceiling materials.

#### ◦ Socket

- G24Q/GX24Q base socket for use 4pin DTT or TTT lamps.
- (2) legs spring clip snaps into socket hole on the top of all of type "-A" trims.

#### ◦ Lamp

- Compact Fluorescent lamps.
  - \* DTT-Double twin tube (Quad/CFQ)
    - (1) 13W DTT (4 pin)
    - (1) 18W DTT (4 pin)
    - (1) 26W DTT (4 pin)
  - \* TTT-Triple Twin Tube (CFTR)
    - (1) 18W TTT (4 pin)
    - (1) 26W TTT (4 pin)
    - (1) 32W TTT (4 pin)

#### ◦ Ballast

- Class P Thermally protected by internal fuse (3 amp fast blow), Multi-volt electronic ballast or thermal cut-out switch in magnetic ballast.
- High Power Factor Multi-volt Electronic ballasts for 4 pin type compact fluorescent lamps or Magnetic ballast for 2 pin lamps mounted on J-box door for easy access from inside of fixture.

#### \* Listing

- UL, c-UL listed for damp location.
- UL, c-UL listed for feed through.

#### • Optional "Quick Connect" Push-in wire connectors.

- Three "Quick Connectors"
- Pre-installed push-in wire connectors for fast and easy wiring.

### Ordering Information

Housing	Ballast	Lamp(s) Watt.	Option
DLF-205R	-N : 120V NPF Magnetic -H : 120V HPF Magnetic -NE : 120V NPF Electronic -HE : 120V HPF Electronic	-E : 120V/277V HPF Electronic  113 : (1)13W 118 : (1)18W 126 : (1)26W 132 : (1)32W	-EM : Emergency w/ Remote Test Switch -C : Quick Connectors

Example : DLF-205R-NE118

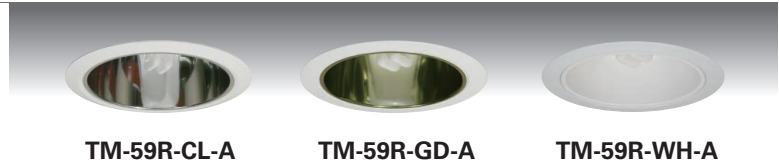
# Trims

## 5" Compact Fluorescent Trims For DLF-205, DLF-205R, ICF-205A, ICF-205RA

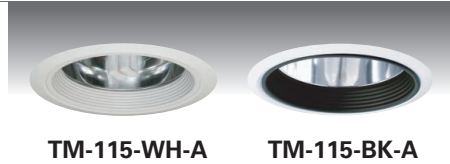
Catalog #		Type
Project		Date
Prepared by		

### FLUORESCENT

**TM-59R-A** Specular Reflector  
**NON-IC : 26W DTT, TTT**  
**IC : 18W DTT, TTT**  
 White Plastic Trim Ring  
 O.D : 6-11/16"



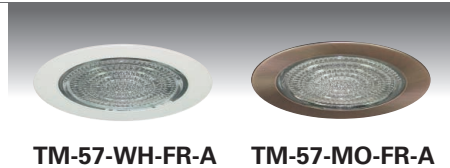
**TM-115-A**  
 Clear Reflector w/ Baffle  
**NON-IC : 26W DTT, TTT**  
**IC : 18W DTT, TTT**  
 White Plastic Trim Ring  
 O.D : 6-11/16"



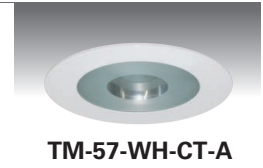
**TM-57-AL-A**  
 Albalite Lens with Reflector  
**18W DTT, TTT**  
 White Metal Trim Ring  
 O.D : 6-11/16"



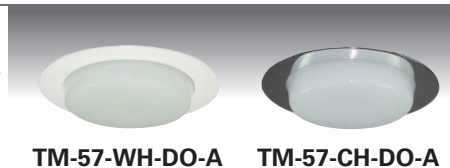
**TM-57-FR-A**  
 Fresnel Lens w/ Reflector  
**18W DTT, TTT**  
 White Metal Trim Ring  
 O.D : 6-11/16"



**TM-57-CT-A**  
 Frosted Lens w/ Clear Center  
**18W DTT, TTT**  
 White Metal Trim Ring  
 O.D : 6-11/16"



**TM-57-DO-A**  
 Drop Opal Lens w/ Reflector  
**18W DTT, TTT**  
 White Metal Trim Ring  
 O.D : 6-11/16"



**TM-56-A**  
 Round Opal Lens w/ Reflector  
**18W DTT, TTT**  
 White Plastic Trim Ring  
 O.D : 6-11/16"



**TM-255B-A** Decorative Frosted Glass w/ Baffle  
**NON-IC : 26W DTT, TTT**  
**IC : 18W DTT, TTT**  
 Die-Cast Construction  
 O.D : 6-11/16"



**TM-255C-A** Decorative Frosted Glass w/ Reflector  
**NON-IC : 26W DTT, TTT**  
**IC : 18W DTT, TTT**  
 Die-Cast Construction  
 O.D : 6-11/16"



### ORDERING INFORMATION

Choose the catalog / finish codes that best suit your needs and enter it on the appropriate line.

TRIM MODEL	REFLECTOR	BAFFLE	METAL RING
	<b>CL</b> :Clear	<b>WH</b> :White	<b>WH</b> :White
	<b>WH</b> :White	<b>BK</b> :Black	<b>BK</b> :Black
	<b>GD</b> :Gold	<b>SN</b> :Satin Nickel	<b>SN</b> :Satin Nickel
	<b>MA</b> :Matte Platinum	<b>AN</b> :Antique Nickel	<b>AN</b> :Antique Nickel
	<b>CP</b> :Champagne	<b>AC</b> :Antique Copper	<b>AC</b> :Antique Copper
	<b>PR</b> :Pewter	<b>MO</b> :Mocha	<b>MO</b> :Mocha
	<b>HC</b> :Haze Clear	<b>CA</b> :Cappuccino	<b>CA</b> :Cappuccino
		<b>CH</b> :Chrome	<b>CH</b> :Chrome
		<b>UN</b> :Natural Steel	<b>UN</b> :Natural Steel
		<b>PB</b> :Polished Brass	<b>PB</b> :Polished Brass

Examples:  
 TM-56-UN-A- = Opal Lens w/ Unfinished Metal Ring